

www.sbmchina.com



PEW系列欧版颚式破碎机
PEW series Jaw Crusher

上海世邦机器有限公司
SHANGHAI SHIBANG MACHINERY CO.,LTD.

中国上海浦东金桥南区建业路416号
No.416 Jianye Road, South Jinqiao Area, Pudong
New District, Shanghai, China

邮编 (Postcode): 201201

国际市场部 : International Trade Department

Tel: 0086-021-58386176
0086-021-58386189

Fax: 0086-021-58386211

Email: sbm@sbmchina.com

国内市场部 :

Tel: 400-696-1899 (24小时销售热线)

021-58386699

Fax: 021-58385681

品质与文明之光闪耀世界
The light of quality and civilization
shines the world

www.sbmchina.com

PEW系列欧版颞式破碎机

品质与文明之光闪耀世界！

THE LIGHT OF QUALITY AND CIVILIZATION SHINES THE WORLD!



PEW系列欧版颞式破碎机 MAIN COMPONENTS 设备概述

颞式破碎机具有破碎比大，工作可靠，维修简单，运行成本低等诸多优点，在冶金、矿山、建材、化工、煤炭等行业得到广泛引用。上海世邦机器有限公司生产的新一代欧版颞式破碎机融合了三十多年破碎机生产积累的经验和最新的设计理念。为客户在高效与低成本之间提供一个最佳的选择。

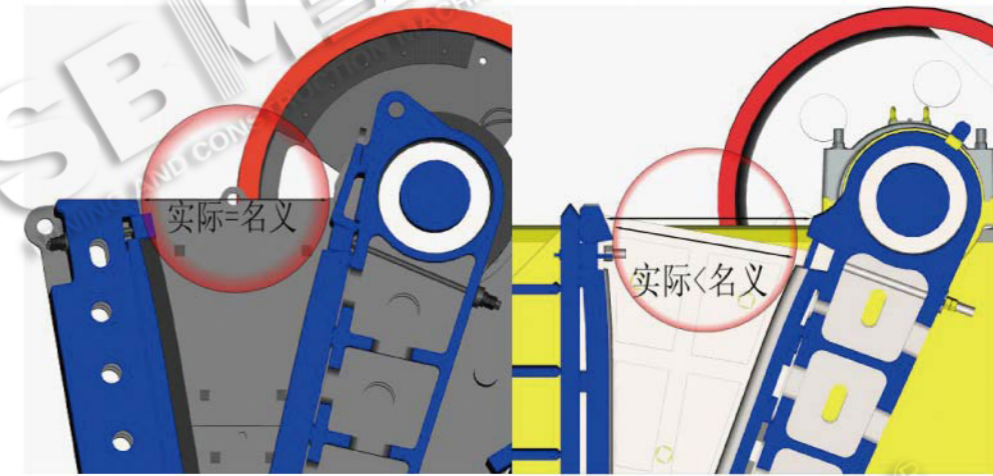
Jaw crusher features big crushing ratio, reliable operation, easy maintenance and low operating cost and it is widely used in metallurgical, mining, building materials, chemical and coal industries. The new generation European version produced by Shanghai Shibang Machinery Co., Ltd. which has incorporated more than 30 year's in the crusher production experience and latest design concept and provided a best choice between high efficiency and low cost.



PEW 系列欧版颚式破碎机
KEY IMPROVEMENTS 核心改进

V型结构破碎腔 V-shaped Structure Crushing Cavity

实际进料口宽度与名义进料口宽度相一致。从而能满足更大的入料要求。
 Width of actual feed port is consistent with the one of nominal feed port which is able to meet a big feeding.

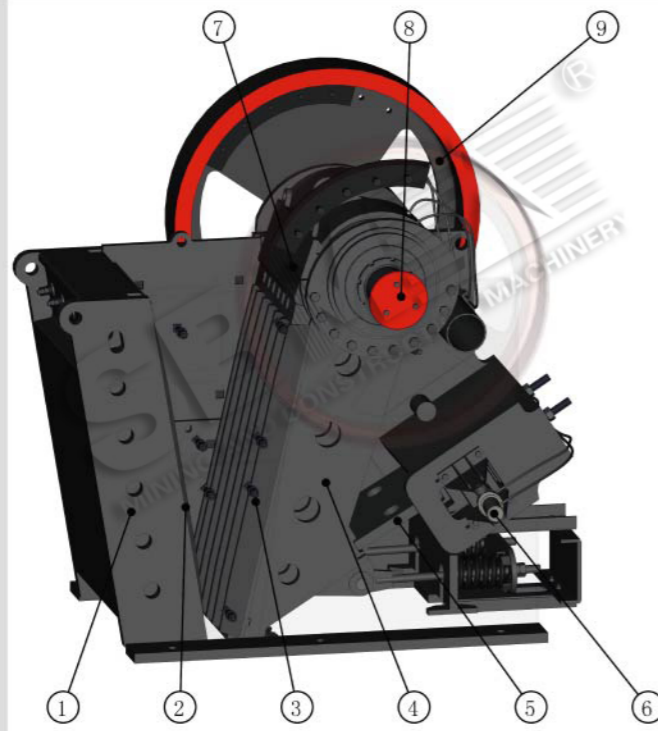


实际 Actual 名义 Nominal

排料口调节更快捷方便

Faster and Easier Adjustment for Discharge Port

采用楔块液压调整：结构简单，制作方便；能实现自动控制、无级调。
 Wedge-shaped hydraulic adjustment which is adopted features simple structure and easy fabrication and enable to realize automatic control and stepless adjustment.



- ◆ 1. 机架 Housing
- ◆ 2. 定颚衬板 Lining Plate of Fixed Jaw
- ◆ 3. 动颚衬板 Movable Jaw Liner Plate
- ◆ 4. 动颚 Swing Jaw
- ◆ 5. 肘板 Toggle Plate
- ◆ 6. 液压调整系统 Hydraulic Adjustment System
- ◆ 7. 动颚护板 Swing Jaw Guard Board
- ◆ 8. 偏心轴 Eccentric Shaft
- ◆ 9. 带轮 Belt Pulley

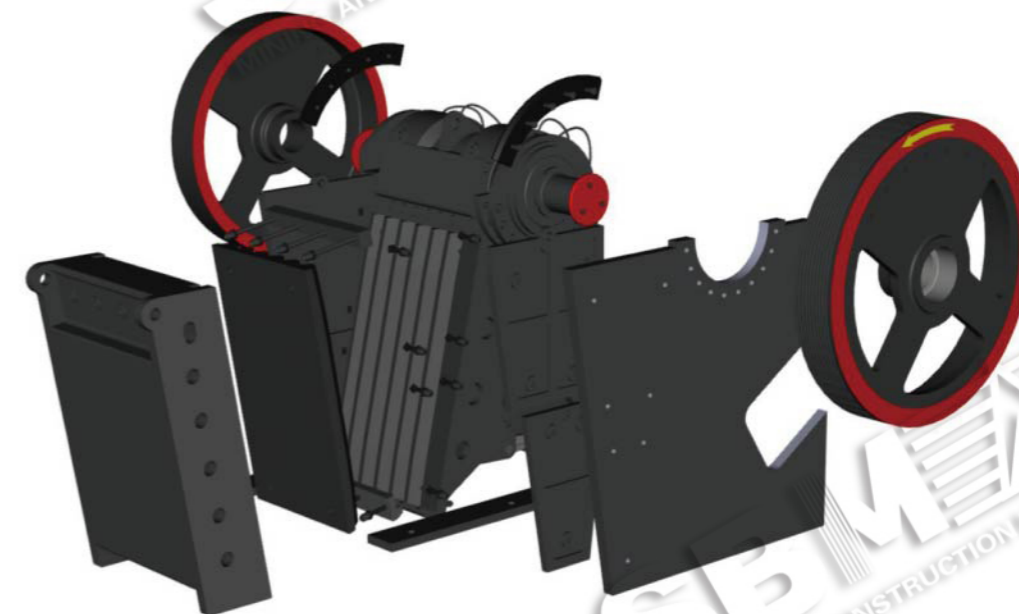
图1: 主要结构
 Fig.1 Main Structure



更先进的动颚总成 More Advanced Jaw Assembly

经过机构优化设计的动颚是保证破碎机性能优越的充分条件。世邦机器的欧版颚破由高质量的铸钢件构成，重型偏心轴亦采用锻坯进行加工。在有效提高动颚刚度和强度同时，减轻了动颚质量。

The swing jaw through mechanically optimization is a sufficient condition for ensuring the superior performance of the crusher. The European version Shibang crusher is composed of high quality cast steels. Heavy eccentric shaft is processed by forging stock which will lightens the weight of swing jaw meanwhile its stiffness and strength will also be improved.



- ◆ 模块 Wedge Block
- ◆ 液压装置 Hydraulic Device

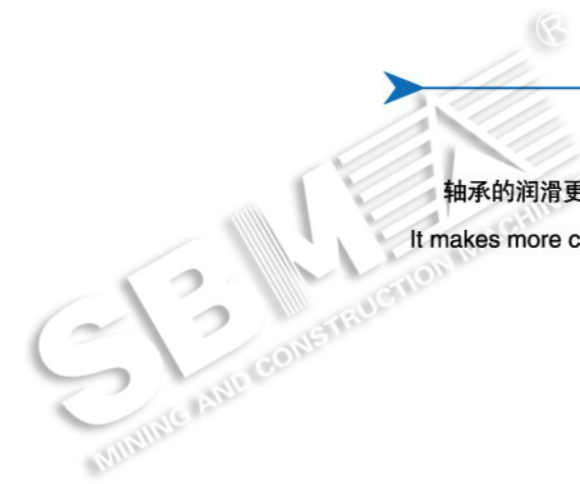


集中润滑装置

Concentrated Lubricating Device

轴承的润滑更加便捷，机器运行更加稳定。

It makes more convenient lubrication for the bearings and more stable operation for the machine.

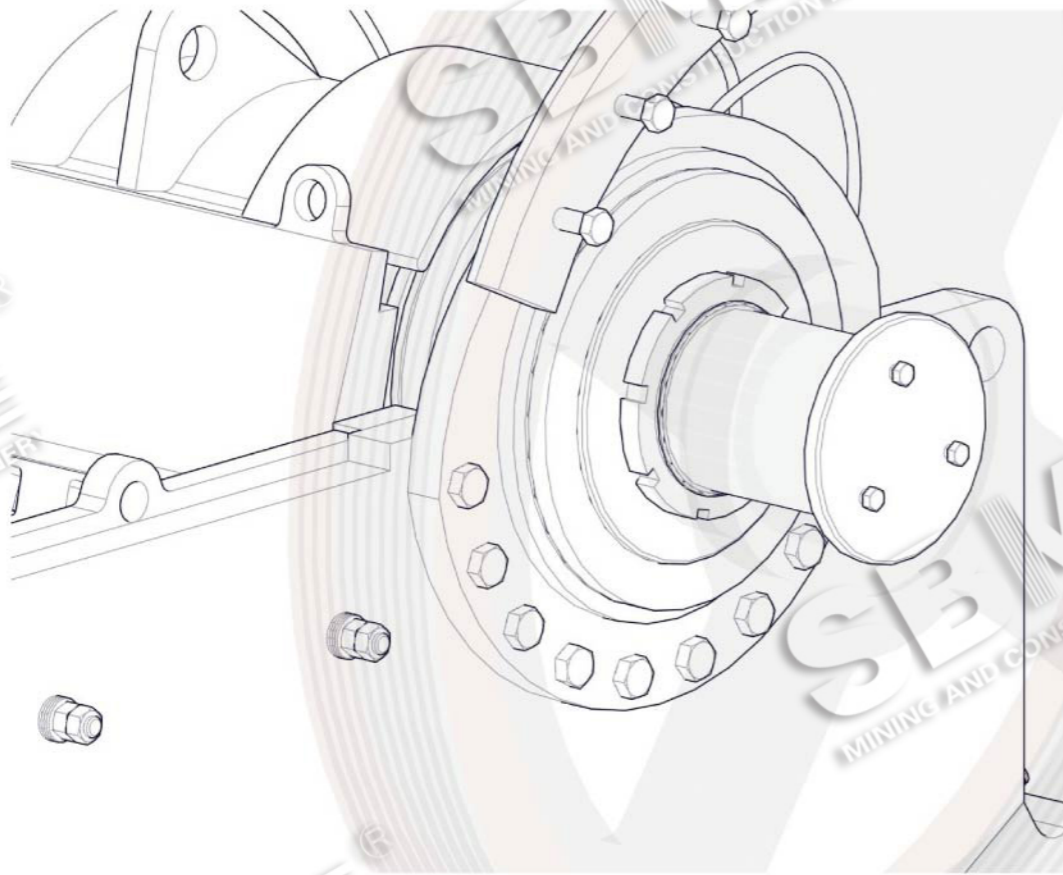


整体式铸钢结构轴承座

Integral Cast Steel Structure Bearing Block

保证与破碎机架完全配合，大大增强轴承座的径向强度。

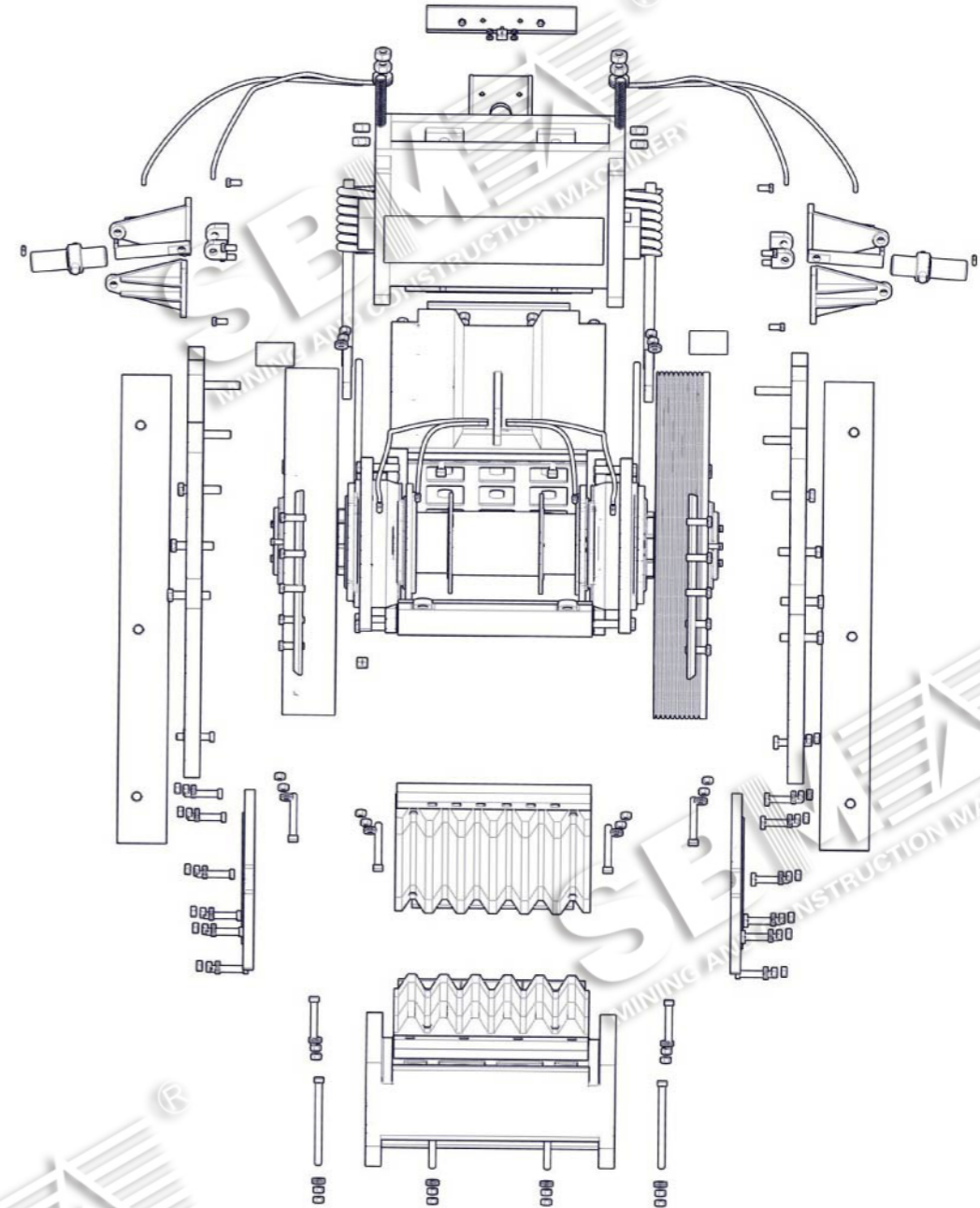
It ensures the perfect fitting with the crusher rack which has greatly strengthened the radial strength of the bearing block.



Welded Structure Rack 焊接结构机架

加强了机架、动颚的有限元优化设计，达到质量轻的同时又具有高度的可靠性。

It has strengthened the finite element optimal design of the rack and swing jaw which helps to reach both light weight and high reliability.



主要技术参数

Main Technical Parameters

参 数		型 号		
项 目		PEW760	PEW860	PEW1100
进料口尺寸 (mm) Size of Feed Port (mm)		760×1100	840×1100	1100×1200
进料最大尺寸 (mm) Size of Maximal Feed Port (mm)		620	720	930
排料口调整范围 (mm) Adjustment Range of Discharge Port (mm)		75-200	100-225	150-275
偏心轴转速 (rpm) Rotational Speed of Eccentric Shaft (rpm)		270	240	210
理论生产能力 (t/h) Theoretical Capacity (t/h)		150-350	200-500	360-650
电机 Electric Motor	功率 (Kw) Power (Kw)	110~132	132~160	185~200
	转速 (rpm) Rotational Speed (rpm)	985	985	740
机器外形尺寸 (L×W×H) Machine Overall Dimension(L×W×H)		2600×2500×2200	3300×2320×312	4140×2660×3560
电源电压 (V) Power Supply Voltage (V)		380	380	380
电源频率 (Hz) Power Supply Frequency (Hz)		50	50	50

SBM has formed a whole production chain with main products: crushing machinery, grinding machinery, and auxiliary products: vibrating screen, vibrating feeder and other associated equipments. Products cover more than 20 models of 3 major series: mill series, crushing series, and sand making series.