

上海世邦机器有限公司
SHANGHAI SHIBANG MACHINERY CO.,LTD.



CS 系列圆锥破
CS Series Cone Crusher

上海世邦机器有限公司
SHANGHAI SHIBANG MACHINERY CO.,LTD.

中国上海浦东金桥南区建业路416号
No.416 Jianye Road, South Jinqiao Area, Pudong
New District, Shanghai, China

邮编 (Postcode): 201201

国际市场部 : International Trade Department

Tel: 0086-021-58386176
0086-021-58386189

Fax: 0086-021-58386211

Email: sbm@sbmchina.com

国内市场部 :

Tel: 400-696-1899 (24小时销售热线)

021-58386699

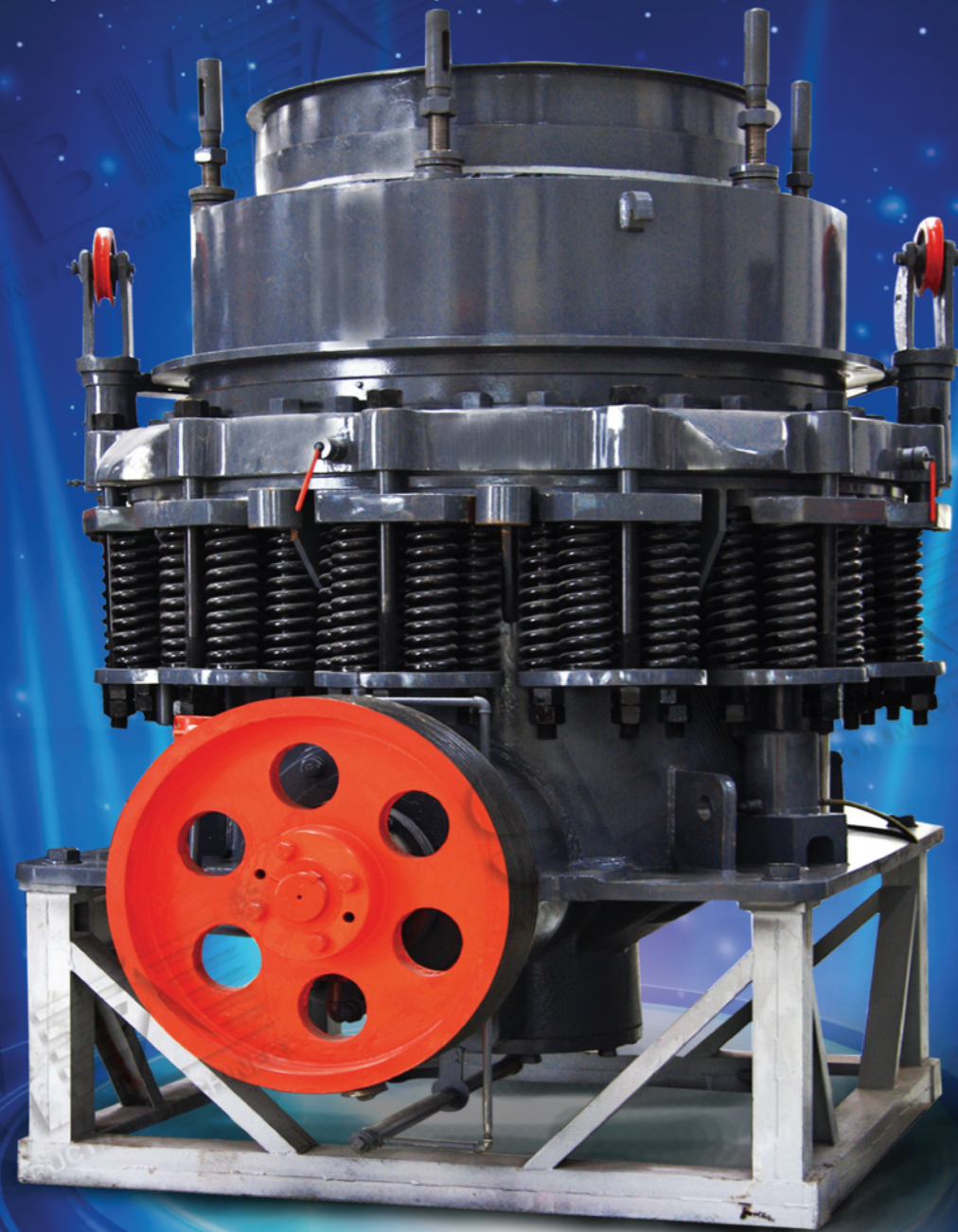
Fax: 021-58385681

品质与文明之光闪耀世界
The light of quality and civilization
shines the world

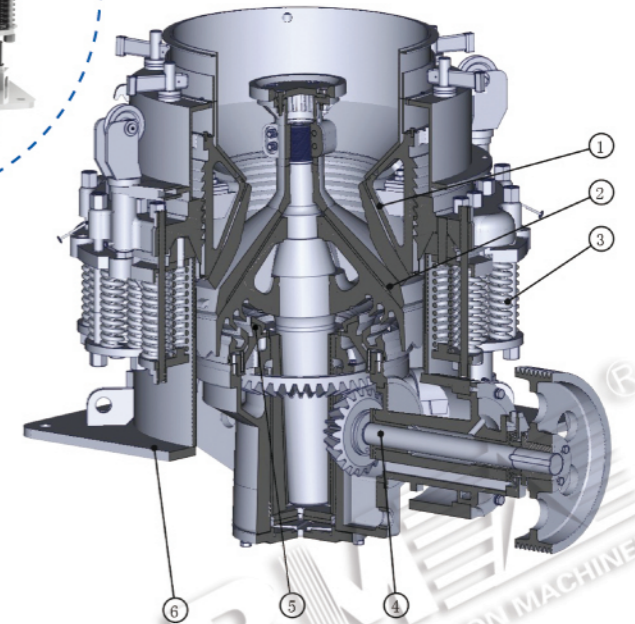
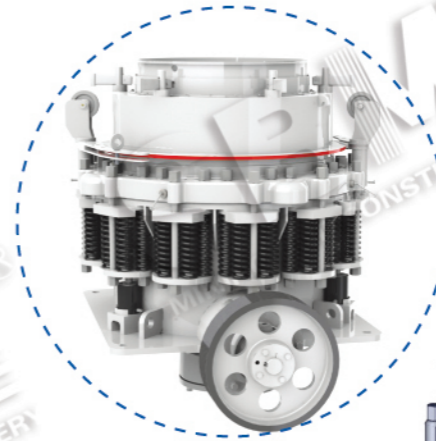
上海世邦机器有限公司

CS Series Cone Crusher 系列圆锥破

品质与文明永远闪耀世界！
The Light Of Quality And Civilization Shines The World !



CS系列圆锥破 MAIN STRUCTURE 主要结构



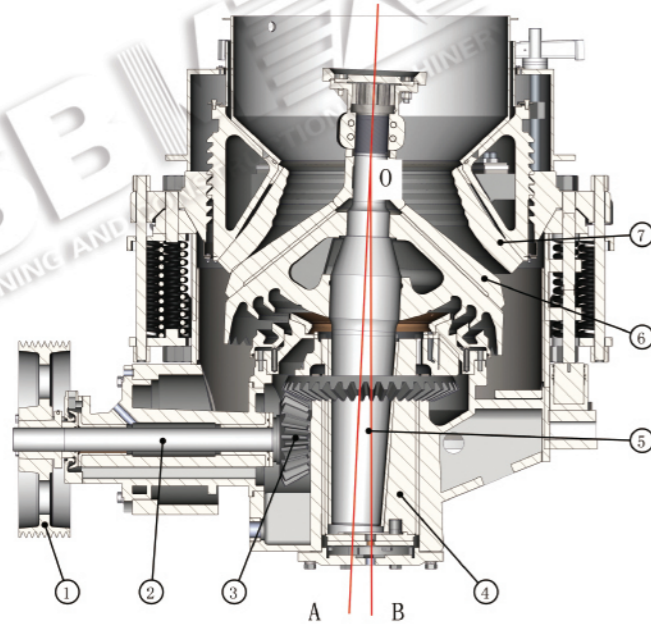
主要部件
Main Components

- ① 定锥总成
- ② 动锥总成
- ③ 弹簧机构
- ④ 传动机构
- ⑤ 碗型支撑
- ⑥ 机架

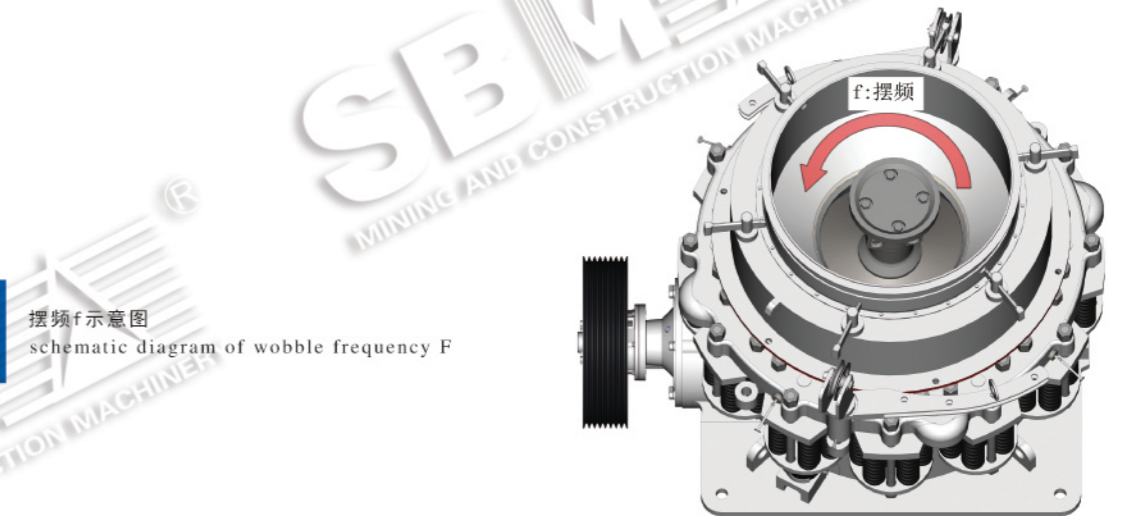
- ① Fixed cone assembly
- ② Motional cone assembly
- ③ Spring mechanism
- ④ Drive mechanism
- ⑤ Bowl-type Bearing
- ⑥ Machine frame

CS系列圆锥破 OPERATING PRINCIPLE 工作原理

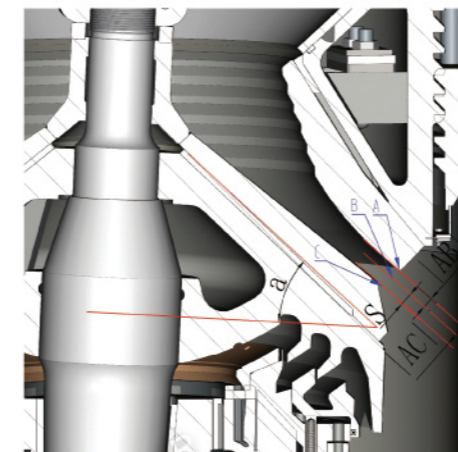
CS系列圆锥破 HIGH EFFICIENCY CRUSHING 高效破碎



- 1 大带轮 Large belt wheel
- 2 传动轴 Transmission shaft
- 3 圆锥齿轮 Bevel gear
- 4 偏心轴套 Drive eccentric bushing
- 5 主轴 Main shaft
- 6 动锥衬板 Motional cone liner plate
- 7 定锥衬板 Fixed cone liner plate



摆频f示意图 schematic diagram of wobble frequency F



底锥角a, 摆动行程s
中|AC|为开边排矿口宽度
|AB|为闭边排矿口宽度
 $S = |AC| - |AB|$

Schematic diagram of wobble frequency F
oscillation stroke s
in which |AC| is discharge outlet width at open side
|AB| is discharge outlet width at close side
 $S = |AC| - |AB|$

随着偏心轴套旋转, 动锥6的中心线OA以O为顶点绕破碎机中心线OB作锥面运动。
Along with rotation of eccentric bushing, center line OA of motional cone 6 takes O as apex and performs conical surface movement around center line OB of crusher

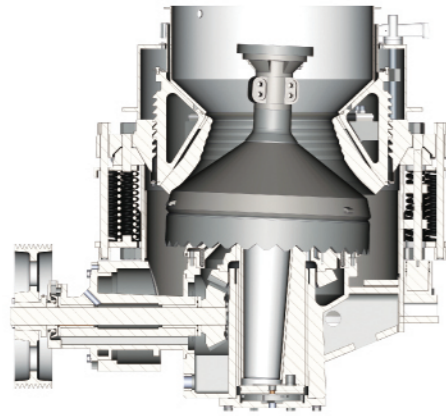
动锥6一侧靠近定锥7, 矿石处于被挤压和破碎过程, 另一侧则离开动锥, 此时被挤压碎了的矿石靠自重从两锥体底部排出。
One side of motional cone 6 is near fixed cone 7. Ores remain at extrusion and crushing process. The other side departs from motional cone. At this time crushed ores are discharged out of the bottom of two cones under self-weight.

圆锥破碎机破碎腔的物料是随动锥转动连续地被破碎, 所以它比颚式破碎机生产率高且工作平稳。
Materials in crushing chamber of cone crusher are crushed continuously along with rotation of motional cone, so it is even higher in production rate and more stable in operation than those of jaw crusher.

CS系列圆锥破基于: 高摆频, 大摆程, 较大底锥角三点设计, 并不断优化达到了三者的完美匹配。从而实现物料的高效破碎。
CS series cone crusher is designed on the basis of three points: high wobble frequency, large oscillation stroke and biggish base cone angle and constantly optimized to attain perfect match of three points, thereby realizing high efficiency crushing of material.

CS系列圆锥破 EXTENSIVE APPLICATION 广泛用途

- 可应用于金属与非金属矿、水泥厂、建筑、砂石冶金等行业。适用于铁矿石、有色金属矿石、花岗岩、石灰石、石英岩、沙岩、鹅卵石等多种原料。
It can be applied to metal and non-metal ore, cement mill, building, sandstone, metallurgy and other industries, applicable for iron ore, non-ferrous metal ore, granite, limestone, quartzite, sandstone, cobblestone and other raw materials.
- 在中碎，细碎，超细碎作业中提供卓越的破碎性能。作为选矿厂的标配设备，特别适用于昼夜连续生产，高破碎比的恶劣作业环境。
It provides preeminent crushing performance in medium crushing, fine crushing, superfine crushing operation. As standard configuration equipment of dressing works, it is especially applicable for day and night continuous production and execrable working environment of high crushing ratio.
- 根据客户的破碎，工艺流程，CS系列高效圆锥破碎机提供从特粗腔到细碎，短头及标准型做为选择。
According to crushing process flow of customers, CS series high efficiency cone crusher provides various options from especially coarse crushing to fine crushing, short head and standard type.

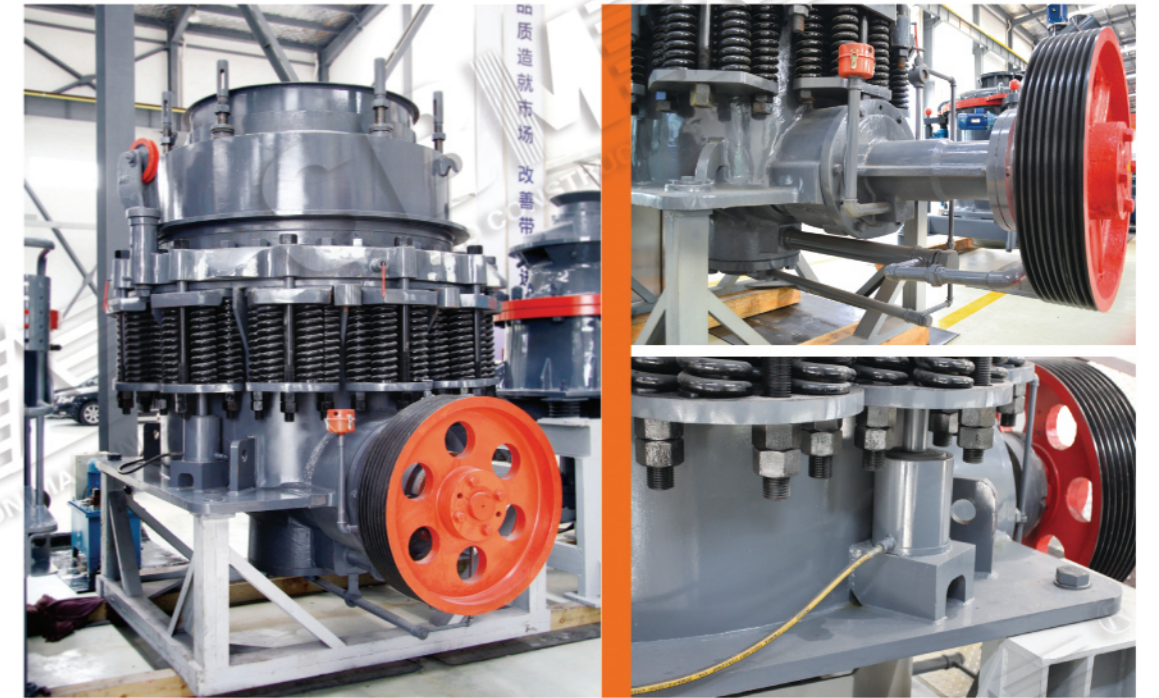


上：标准头
Above diagram: standard head
下：短头
lower diagram: short head



左：粗腔
Left diagram: coarse chamber
右：细腔
right diagram: fine chamber

CS系列圆锥破 STABLE OPERATION 稳定运行



- 当有不能破碎物料进入破碎腔时，以16组高性能合金钢弹簧为核心的过载保护系统，能有效保证破碎机的安全。
When material which cannot be crushed enters into crushing chamber, the overload protective system with 16 groups of high performance alloy steel spring as core can effectively ensure safety of crusher.
- 特有的液压清腔系统，可以在机器发生瞬间闷车等非正常停机的情况下，通过液压顶顶，使定动锥间间隙增大，方便清腔，从而减少维护时间。
In the case that machine generates instant blockage and other disorderly shutdown, particular hydraulic chamber clearing system can enlarge clearance between fixed cone and motional cone through hydraulic to facilitate chamber clearing, thereby reducing maintenance time.
- 独立的稀油润滑系统，采用双油泵、双过滤器冗余设计。在破碎机启动前就可进行润滑，适应性强，易于控制。显著提高机器效率，延长零件使用寿命。
The redundancy design of dual oil pump and duplex filter is adopted for independent oil lubricating system. The crusher can be lubricated before startup, which is strong in adaptability and easy to control, evidently increasing machine efficiency and service life of parts.
- 润滑脂密封，并使用日本进口顶级密封件。避免给水排水系统易堵塞及水油混合等故障，为机器长时间的稳定运行提供了坚实保障。
With grease seal and upstage sealing element imported from Japan, it avoids easy blockage and water oil blending and other faults of drainage system, providing sturdy guarantee for long-playing stable operation of machine.

CS系列圆锥破 CUSTOMER SITE 客户现场



CS系列圆锥破

MAIN TECHNICAL PARAMETERS

主要技术参数



型号 Model	动锥直径 Motional cone diameter (mm / inch)	腔型 Chamber type	喂料口尺寸 Feed inlet size (mm)		出料口可调整范围 Adjustable scope of discharge port (mm)	产量 Yield (t/h)	主轴转速 Speed of main shaft (r / min)	功率 Power (KW)	外形尺寸 External dimensions
			闭口边 Close side	开口边 Open side					
CSB75	900 (3')	细型 Fine type	83	102	9-22	45-91	580	75	2821x1880x2164
		粗型 Coarse type	159	175	13-38	59-163			
CSB160	1295 (4 1/4')	细型 Fine type	109	137	13-31	109-181	485	185	2800x2342x2668
		中型 Medium-type	188	210	16-31	132-253			
		粗型 Coarse type	216	241	19-51	172-349			
CSB240	1650 (5 1/2')	细型 Fine type	188	209	16-38	181-327	485	240	3911x2870x3771
		中型 Medium-type	213	241	22-51	258-417			
		粗型 Coarse type	241	268	25-64	299-635			
CSB400	2134 (7')	细型 Fine type	253	278	19-38	381-726	435	400	4613x3251x4732
		中型 Medium-type	303	334	25-51	608-998			
		粗型 Coarse type	334	369	31-64	789-1270			

型号 Model	动锥直径 Motional cone diameter (mm / inch)	腔型 Chamber type	喂料口尺寸 Feed inlet size (mm)		出料口可调整范围 Adjustable scope of discharge port (mm)	产量 Yield (t/h)	主轴转速 Speed of main shaft (r / min)	功率 Power (KW)	外形尺寸 External dimensions
			闭口边 Close side	开口边 Open side					
CSD75	900 (3')	细型 Fine type	13	41	3-13	27-90	580	75	2821x1880x2410
		粗型 Coarse type	33	60	3-16	27-100			
CSD160	1295 (4 1/4')	细型 Fine type	29	64	3-16	36-163	485	160	2800x2342x2668
		中型 Medium-type	54	89	6-16	82-163			
		粗型 Coarse type	70	105	10-25	109-227			
CSD240	1650 (5 1/2')	细型 Fine type	35	70	5-13	90-209	485	240	3917x2870x3771
		中型 Medium-type	54	89	6-19	136-281			
		粗型 Coarse type	98	133	10-25	190-336			
CSD400	2134 (7')	细型 Fine type	51	105	5-16	190-408	435	400	4130x3251x4454
		中型 Medium-type	95	133	10-19	354-508			
		粗型 Coarse type	127	178	13-25	454-599			

左表格
标准型圆锥破碎机主要参数表
Main Parameter Table of Standard Cone Crusher

右表格
短头型圆锥破碎机参数表
Parameter table of short head cone crusher

- ▶ 产量为概略通过量 (按石灰石测定);
Yield is approximate throughput (determined according to limestone);
- ▶ 由于给料、粒级、岩石类型和物料含水量的差异, 实际结果会有不同;
Owing to difference in feeding, size grade, rock type and material moisture content, actual result would be different;
- ▶ 技术数据如有变动, 恕不另行通知, 各尺寸参数以用户收到的破碎机产品为准。
Technical data shall be subject to change without further notice. Various size parameters shall be subject to crusher product received by user.